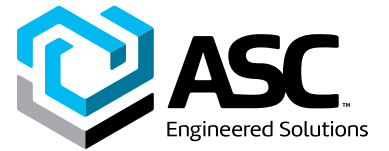


Building connections that last™



Series 67FVGET

Grooved End Butterfly Valve with
Indicator Datasheet



Grooved End Butterfly Valve with Indicator Series 67BFVGET

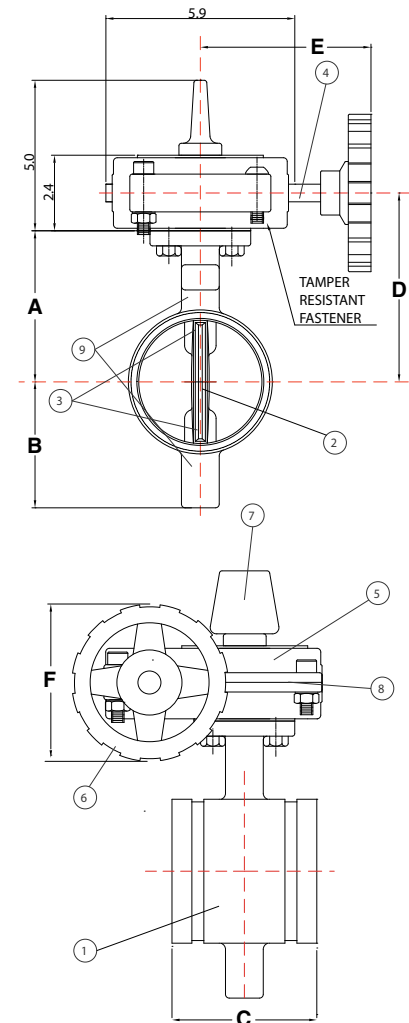


Design Features

- 300 psi
- UL Listed
- FM Approved
- California State Fire Marshall Approval No. 7770-2252: 0500
- Factory installed replaceable double tamper switch
- Approved for indoor and outdoor use
- Grooved ends
- Gear Operator

Parts & Materials

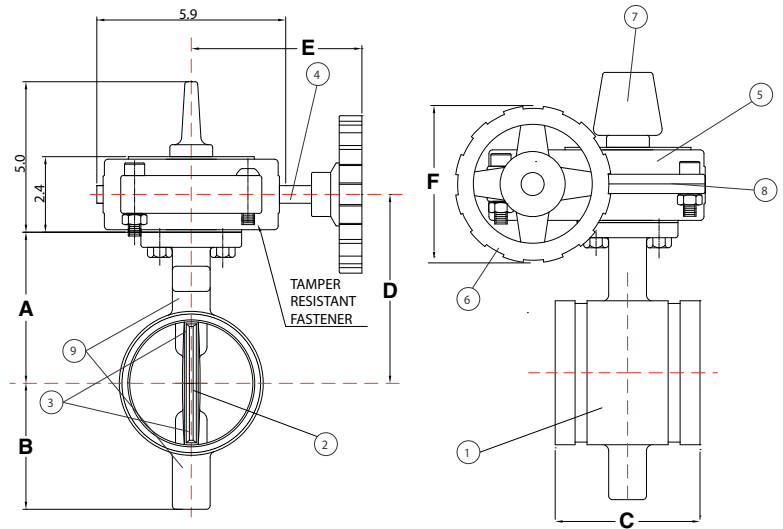
No.	Part	Material
1	Body	ASTM A-536 DI, Epoxy Coated
2	Disc	ASTM A-536 DI, EPDM Encapsulated
3	Upper and Lower Stems	AISI Type 431 Stainless Steel
4	Gear Housing	ASTM A-536 Ductile Iron, Zinc Electroplated
5	Handwheel	ASTM A-536 Ductile Iron
6	Flag Indicator	ASTM A-536 Ductile Iron
7	O-Rings (all)	EPDM



asc-es.com

Building connections that last™

Grooved End Butterfly Valve
with Indicator
Fig. 67BFVGET



Dimensions

Pipe Size	Part Number	A	B	C	E	Handwheel Diameter	Weight
In./mm		In./mm	In./mm	In./mm	In./mm	In./mm	Lb./g
2½	67BFVGET024	4.02	2.80	3.82	5.28	5.00	19.0
65		102	71	97	134	127.0	8.63
3	67BFVGET030	4.29	3.19	3.82	5.28	5.00	20.4
80		109	81	97	134	127.0	9.25
4	67BFVGET040	5.04	3.74	4.57	5.28	5.00	23.6
100		128	95	116	134	127.0	10.71
6	67BFVGET060	6.02	5.24	5.83	5.28	8.70	42.4
150		153	133	148	134	221.0	19.28
8	67BFVGET080	7.24	6.46	5.24	8.27	8.70	52.6
200		184	164	133	210	221.0	23.9

About ASC Engineered Solutions

ASC Engineered Solutions is defined by quality—in its products, services and support. With more than 1,400 employees, the company's portfolio of precision-engineered piping support, valves and connections provides products to more than 4,000 customers across industries, such as mechanical, industrial, fire protection, oil and gas, and commercial and residential construction. Its portfolio of leading brands includes ABZ Valve®, AFCON®, Anvil®, Anvil EPS, Anvil Services, Basic-PSA, Beck®, Catawissa, Cooplet®, FlexHead®, FPPI®, Gruvlok®, J.B. Smith, Merit®, North Alabama Pipe, Quadrant®, SCI®, Sharpe®, SlideLOK®, SPF® and SprinkFLEX®. With headquarters in Commerce, CA, and Exeter, NH, ASC also has ISO 9001:2015 certified production facilities in PA, TN, IL, TX, AL, LA, KS, and RI.



asc-es.com

Building connections that last™

FC-DS-SERIES-67BFVGET-v01 20210817

